

50 MHz, 2 GS/s, 8-Bit Differential Measurement System

TEGAM 4040A + NI 5152 = Better Measurements

- 2 channels simultaneously sampled
- Differential inputs with 77 dB of CMRR
- 2 mV to 100 V input range
- 50 MHz bandwidth
- 50 dBc SFDR and 45 dB SINAD
- Memory options from 8 to 256 MB per channel
- Edge, window, hysteresis, video, and digital triggering with 100 ps timestamping



OVERVIEW

The combination of the National Instruments 5152 and TEGAM 4040A creates the widest range measurement system possible in a 3U PXI format. The result of connecting the dual simultaneously sampled 8-bit inputs of the 5152 with the programmable differential instrumentation amplifier of the 4040A is exceptionally clean and flexible signal conversion. They are ideal for a wide range of applications in automotive, communications, scientific research, military/aerospace, and consumer electronics. Using the National Instruments Synchronization and Memory Core (SMC) architecture, you can easily synchronize to other analog and digital instruments to develop high-channel-count or mixed-signal test systems. Table 1 lists the more advantageous combinations of settings and ranges for the two cards. Refer to the individual datasheets for all possible settings.

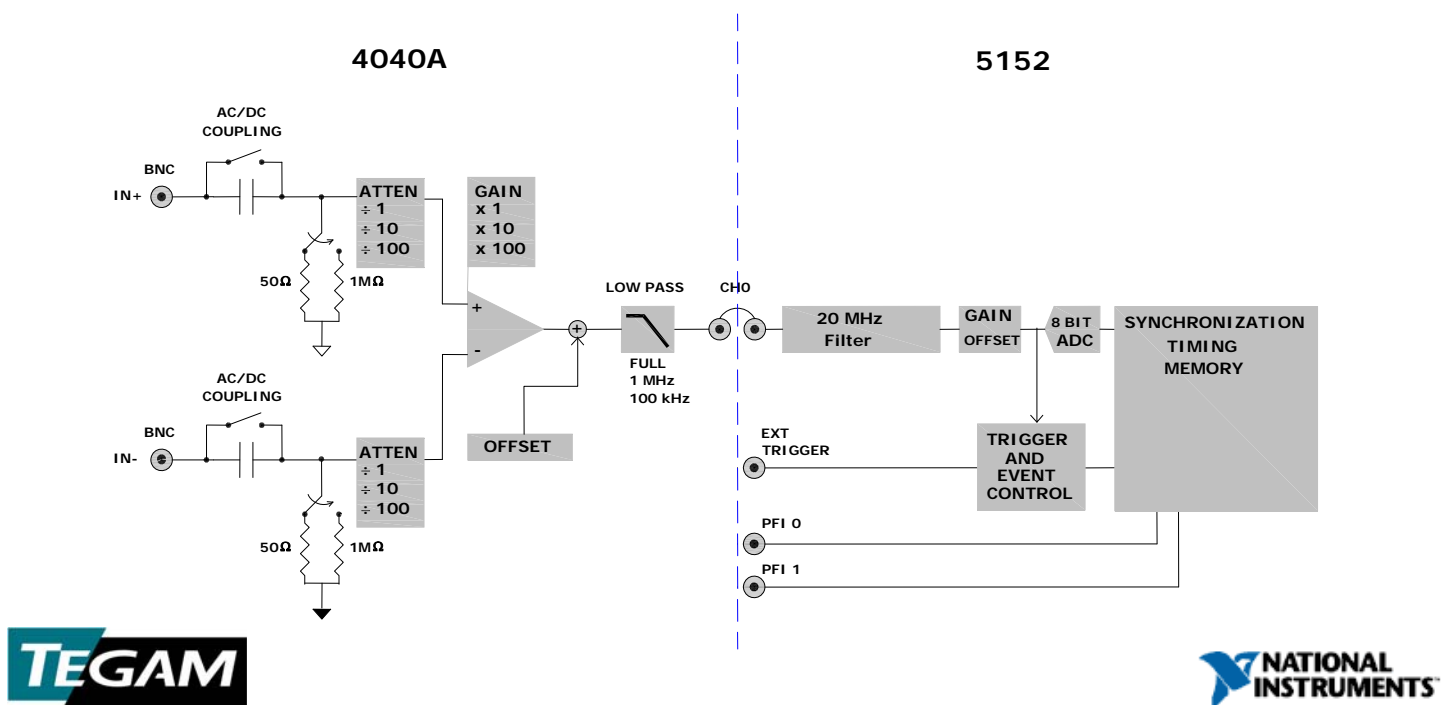


Figure 1
Combined Block Diagram

50 MHz, 2 GS/s, 8-Bit Differential Measurement System

Peak Signal Input Range	Input Attenuation	Amplifier Gain	Total Gain	Com. Mode Voltage Range a,b,c	Bandwidth, DC Coupling	NI 5152 Input Range
100 V	÷100	x1	÷100	100 V	20 MHz	1 V
40 V	÷100	x1	÷100	100 V	20 MHz	400 mV
40 V	÷100	x10	÷10	100 V	50 MHz	4 V
10 V	÷100	x10	÷10	100 V	50 MHz	1 V
10 V	÷10	x1	÷10	40 V	20 MHz	1 V
1 V	÷100	x100	x1	100 V	20 MHz	1 V
1 V	÷10	x10	x1	40 V	50 MHz	1 V
400 mV	÷10	x100	x10	40 V	20 MHz	4 V
400 mV	÷1	x10	x10	4 V	50 MHz	4 V
100 mV	÷10	x100	x10	40 V	20 MHz	1 V
100 mV	÷1	x10	x10	4 V	50 MHz	1 V
40 mV	÷1	x100	x100	4 V	20 MHz	4 V
40 mV	÷1	x10	x10	40 V	50 MHz	400 mV
10 mV	÷1	x100	x100	4 V	20 MHz	1 V
2 mV	÷1	x100	x100	4 V	20 MHz	200 mV
1 mV	÷1	x100	x100	4 V	20 MHz	100 mV

a. DC Coupled, 1 MΩ input
b. AC Coupled, 1 MΩ input: DC + Peak AC not to exceed 100 V; Peak AC component not to exceed table
c. 10 V max into 50 Ω

Table 1
Input Ranges

Combined Specifications Per Channel

These specifications are valid for 0 to 55 °C for PXI, and 0 to 45 °C for PCI, unless otherwise stated.

Acquisition System

Vertical resolution	8 bits
Bandwidth (-3 dB)	See Table 1
Bandwidth limit filters (software selectable)	100 kHz, 1 MHz, 20 MHz noise (2-pole Bessel)
Maximum sample rate	1 GS/s per channel, 2 GS/s interleaved
Onboard sample memory	8 to 256 MB per channel
Pretrigger and posttrigger data points	0 to 100% of full record length
Input impedance	50 Ω and 1 MΩ 20 pF, software selectable
Maximum number of records for multiple-record acquisition	32,768 for 8 MB/ch, 100,000 for all other memory options
Full scale input range	It is possible to exceed these numbers if you fetch records while acquiring data. 50 Ω: 1 mV – 10 V 1 MΩ: 1 mV – 100 V
Vertical offset ranges	±100% of full scale input range
Vertical offset accuracy (4040A)	± (0.5% of Setting + 300 μV) Referenced to 1 V Range
Maximum input overload	See Table 1
Input coupling	AC, DC, GND (AC coupling on 1 MΩ only)
AC coupling cutoff frequency (-3 dB) (4040A)	10 Hz
DC Gain Accuracy (4040A)	± (0.1% input + 100 μV) Offset set to 0 for Gain 10, 1, 0.1, 0.01 ± (1.5% input + 300 μV) Offset set to 0 for Gain 100
AC Gain Accuracy (4040A)	± 0.15 dB
Passband Ripple (DC-10 MHz)	± 0.5 dB

50 MHz, 2 GS/s, 8-Bit Differential Measurement System

Ordering Information

National Instruments

NI PXI-5152	
8 MB/channel	779772-01
64 MB/channel	779772-02
256 MB/channel	779772-03

NI PCI-5152	
8 MB/channel	779945-01
64 MB/channel	779945-02
256 MB/channel	779945-03

Accessories

Recommended	
Shielded SMB Cable	778827-01

Switchable 1/10x probe	
SP200B	763391-01

9-pin DIN to BNC for AUX I/O connector	
Aux110	189919-0R5

Related Products

- NI 5421 arbitrary waveform generators
- NI PXI-5404 clock and frequency generator
- NI PXI-655x digital waveform generator/analyzers

BUY NOW!

For complete product specifications, pricing, and accessory information, call 800-813-3693 (U.S.) or go to ni.com/digitizers.

TEGAM

50 MHz Differential Instrumentation Amplifier	4040A
---	-------

Accessories

1' SMB to BNC interconnect coax cable	CA-4-12
3' SMB to BNC interconnect coax cable	CA-4-36

BUY NOW!

For complete details, software and purchasing, go to <http://www.tegam.com/product.asp?modelName=4040A> or call 440-466-6100.