

Ten Tegam Way
Geneva, Ohio 44041
Phone: 440 466-6100
Fax: 440 466-6110

Model PRT73 Rack Mount Installation Instructions

These instructions explain how to install the Model 73 Rack Mount kit (P/N 70192) and (P/N 70192/SP3293). The kit includes all necessary hardware. Figure 6-1 shows an exploded view of the Rack Mount Option.

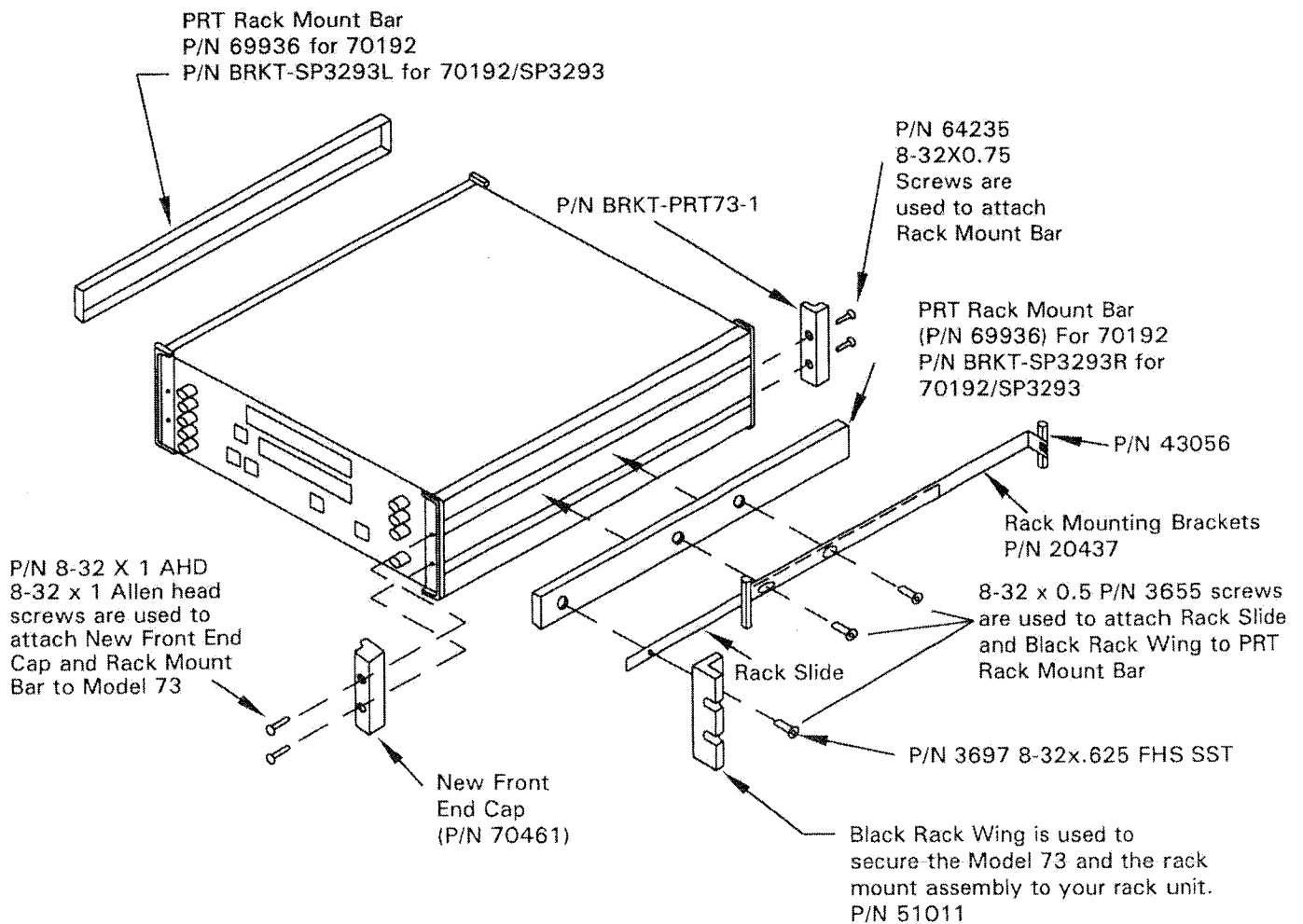


Figure 6-1 Exploded View of Rack Mount Kit

1. Remove the existing front and rear end caps from the Model 73 as shown in Figure 6-2.

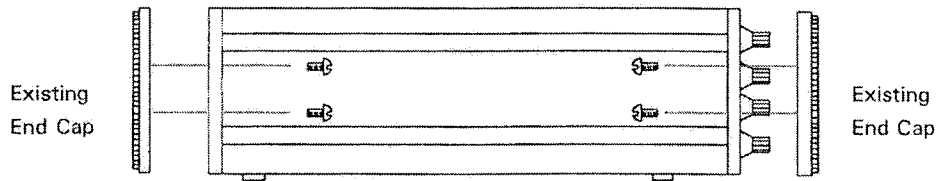


Figure 6-2 Removing End Caps

2. Insert the PRT Rack Mount Bar as shown into each side of the Model 73 and secure the new back end cap with two 8-32 X .75 Allen head screws at the rear of the Model 73. Secure the new Front End Caps and the PRT Rack Mount Bar to the Model 73 using two 8-32 X .75 Allen head screws. Refer to Figure 6-3.

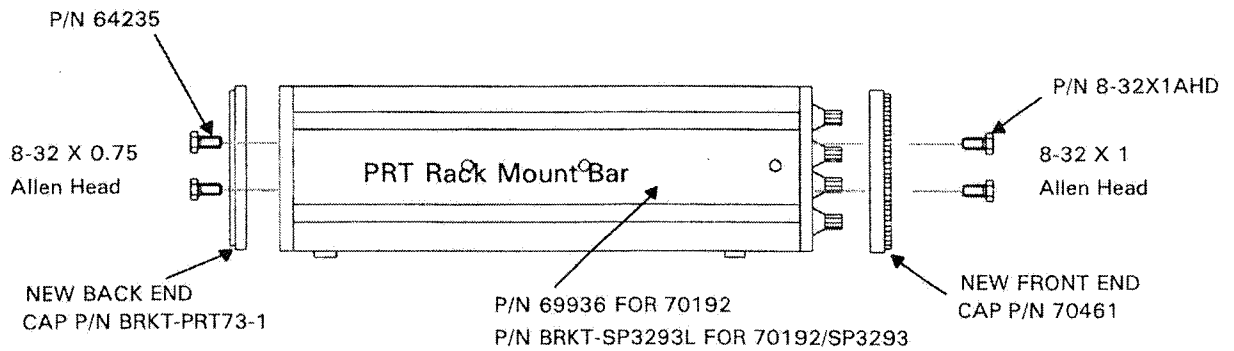


Figure 6-3 Installing PRT Rack Mount Bar

3. Remove the Inner Rack Slide from each of the Rack Mounts. Attach the Black Rack Wing and the rack slide to the PRT Rack Mount Bar. Refer to figure 6-4.

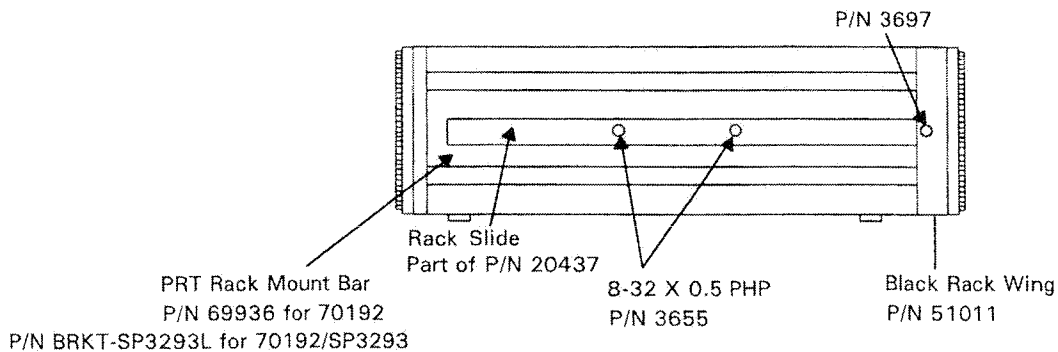


Figure 6-4 Mounting Rack Slide and Black Rack Wing

4. Assemble rack mounts. Attach the rack mount adapters to the mounting ears on the rack mount with 2 - 10 x 3 x .5 screws for each side. Dry fit the two halves of the rack mount in the rack unit to obtain proper hole alignment. Secure the two halves with screws, lockwasher and nuts supplied with P/N 20437.

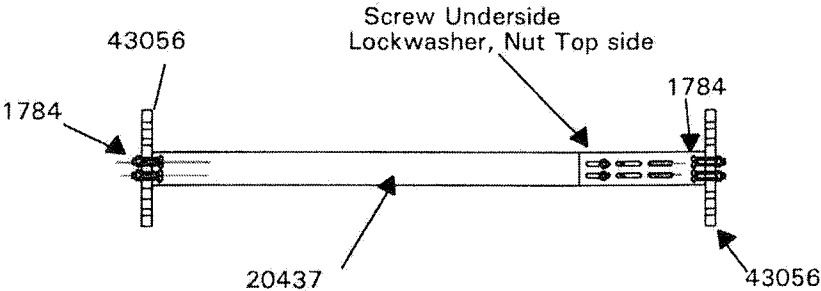


Figure 6-5 Assembly of Rack Mounts

5. Install both Rack Mounts to your Rack Unit using eight 10-32 X 0.5 PHP screws. Then slide the Model 73 into the Rack Mounts and secure the Model 73 to the Rack Unit with four 10-32 X 0.75 PHP screws. Refer to Figure 6-5.

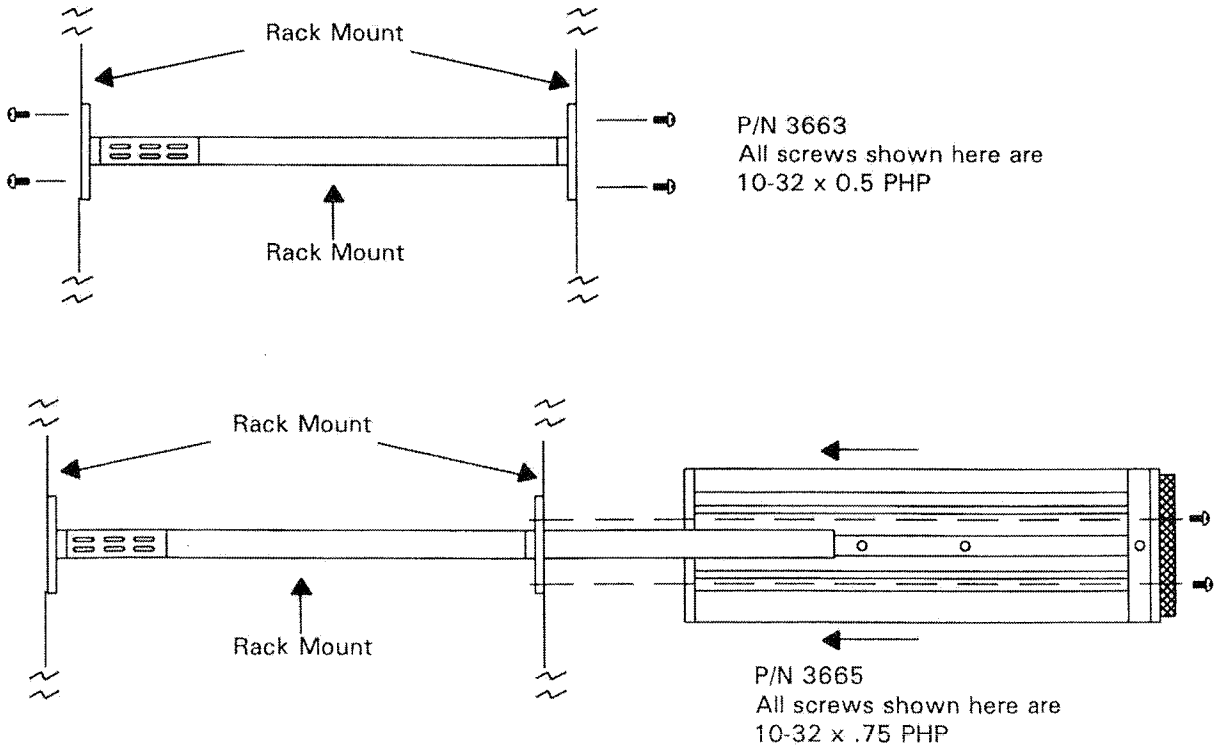


Figure 6-6 Installing Model 73 into Rack Unit